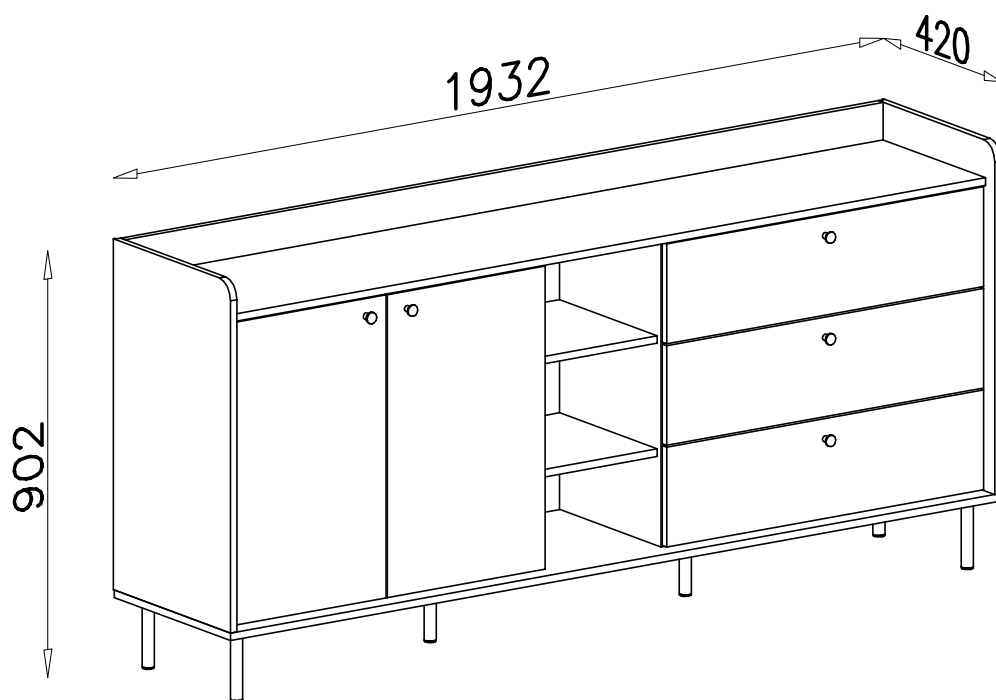
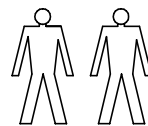
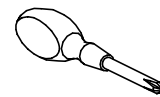
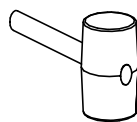
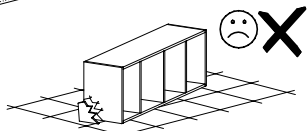
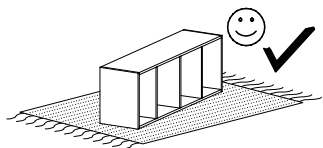




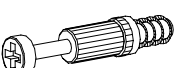

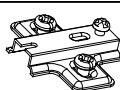
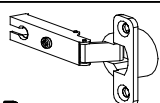

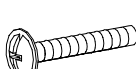

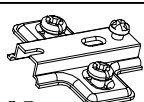
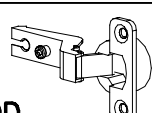


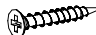

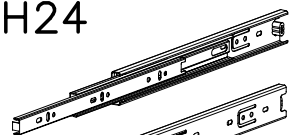
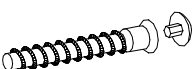

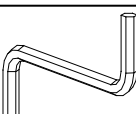

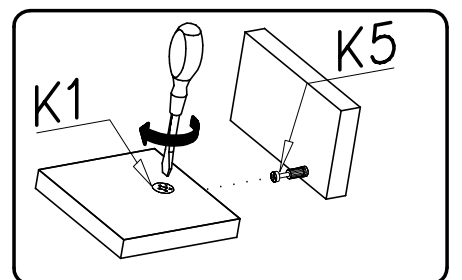
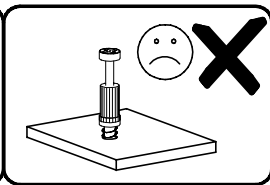
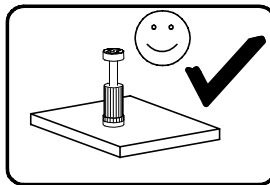
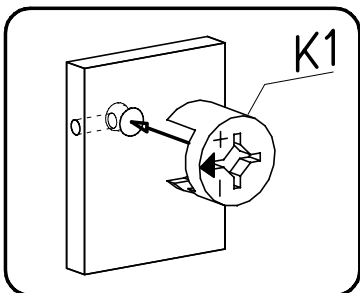
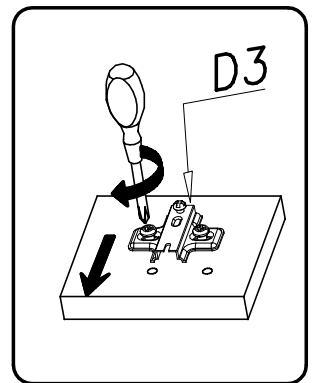
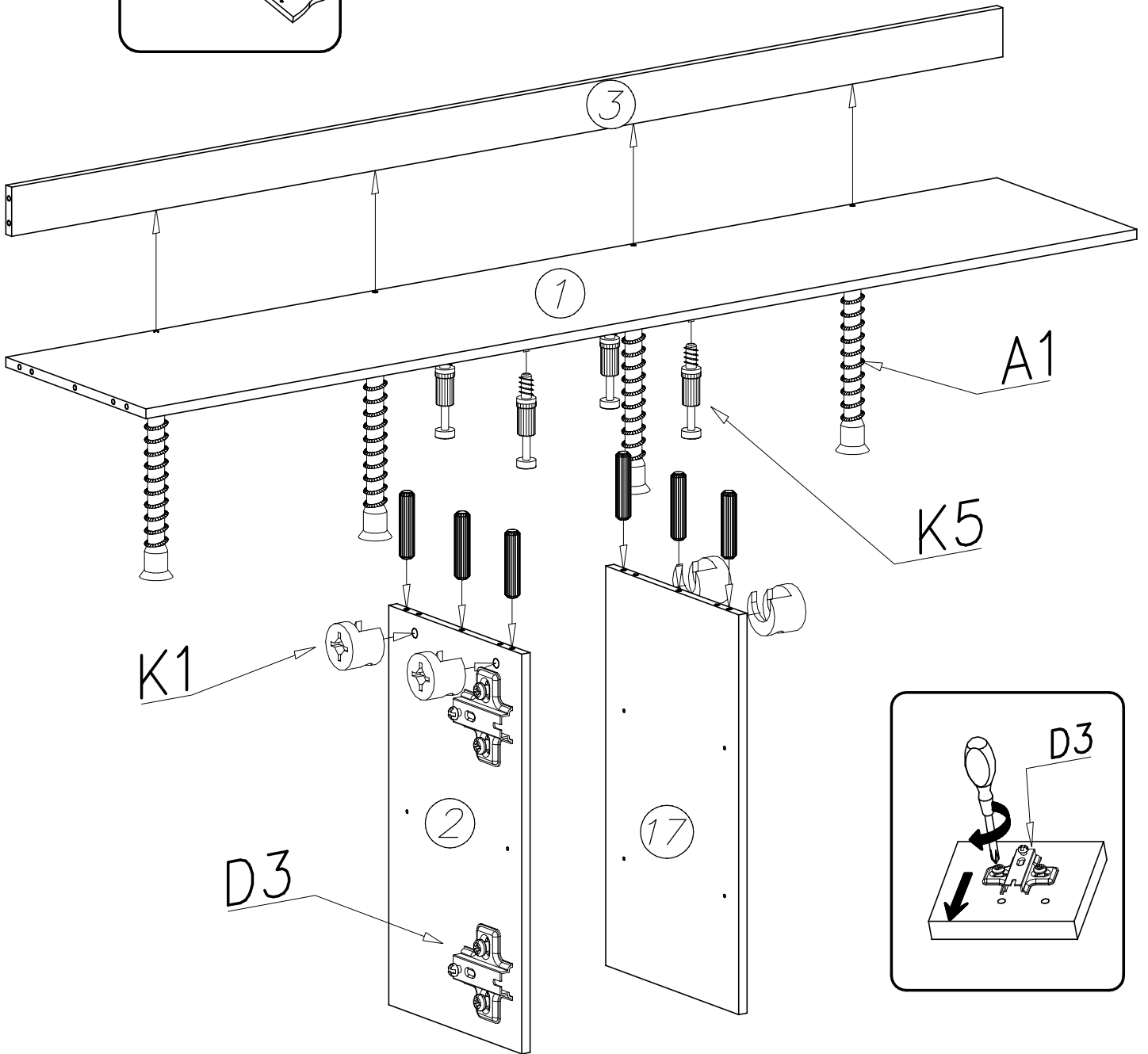
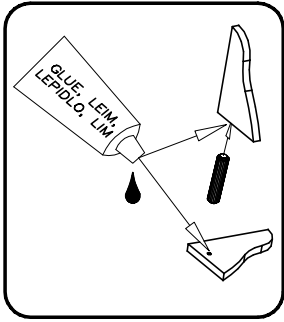
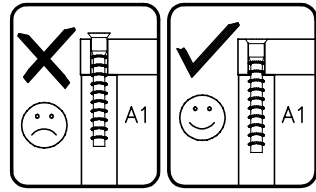
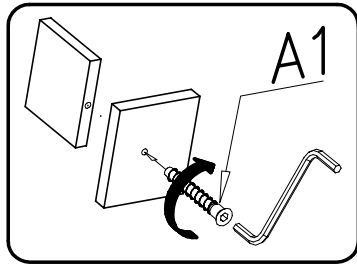
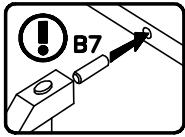


GRANDE GR 4

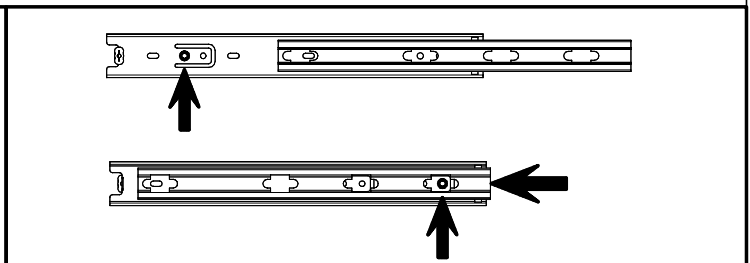
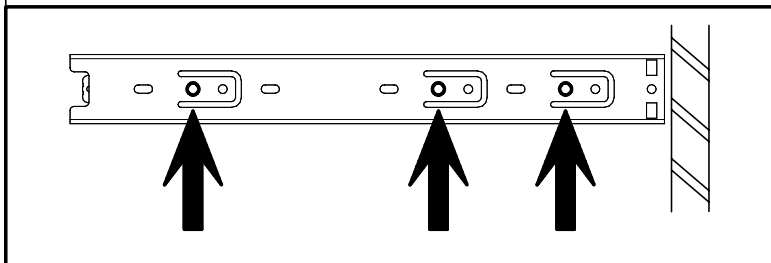
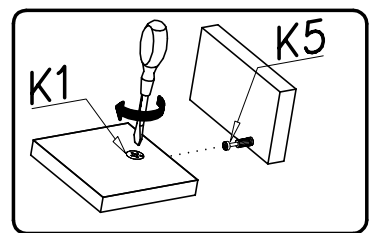
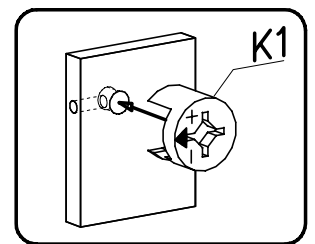
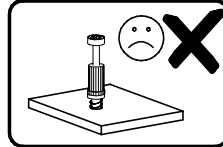
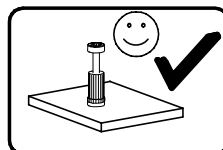
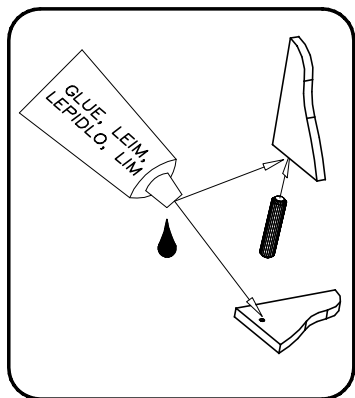
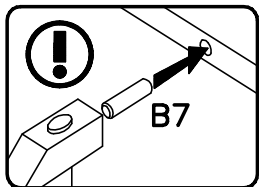
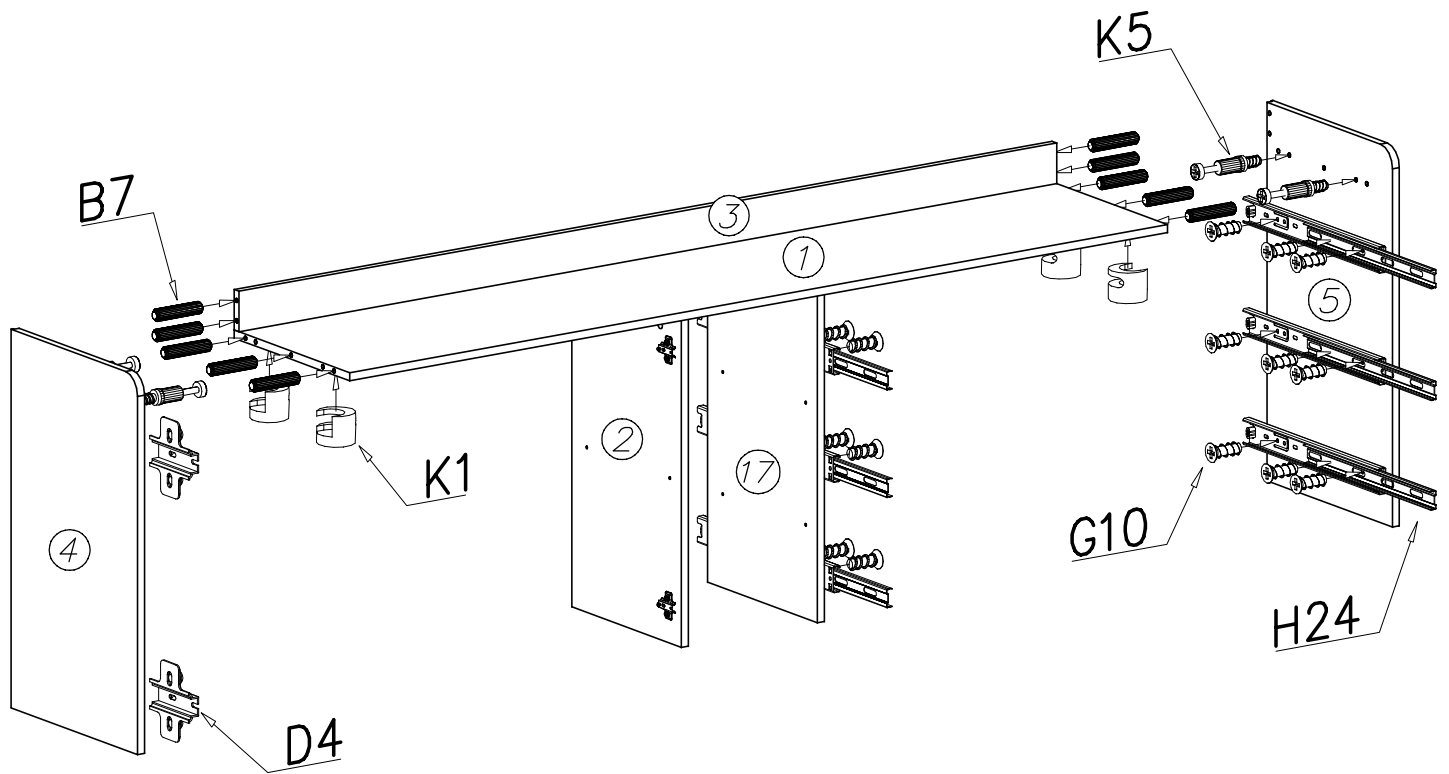
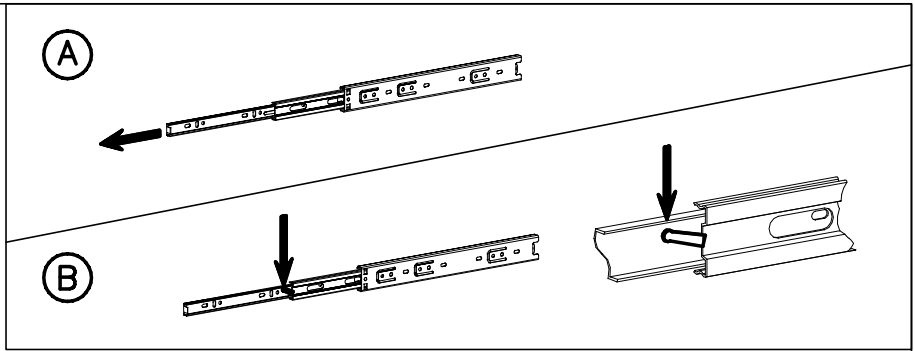
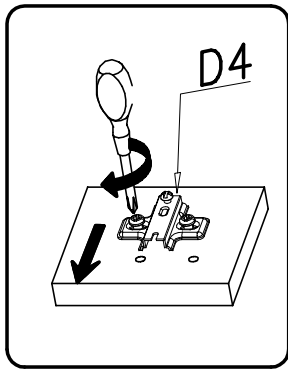


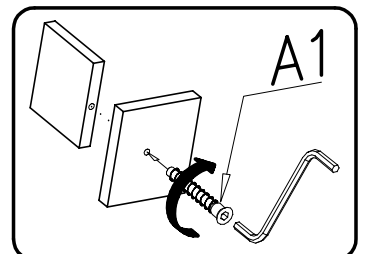
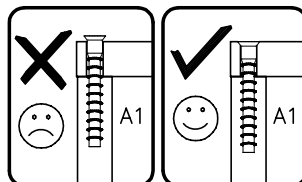
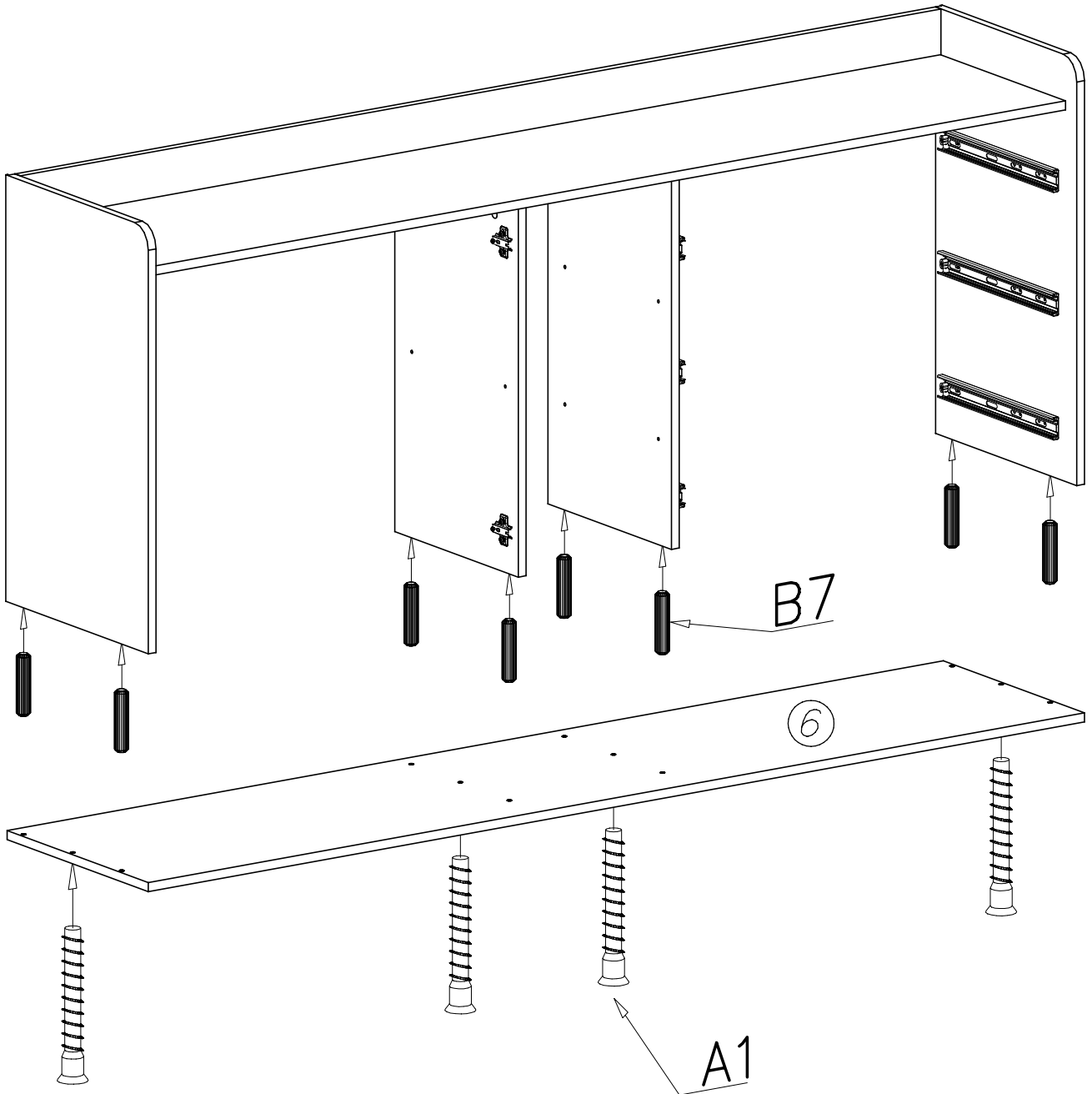
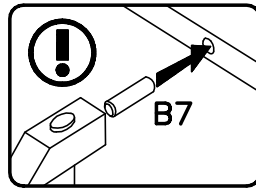
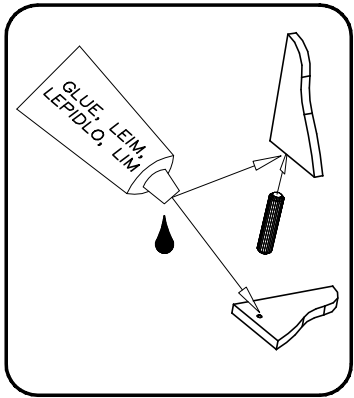
K1  $\varnothing 15 \times 12$ x8	I7  $\varnothing 18$ x8	S2  x8	S9  x6	
K5  x8	S1  648mm x2	D3  PZ35PR x2	C3  Z35PR x2	P6  x6
N13  M4x22 x5	W1  x3	D4  PZ350D x2	C4  Z350D x2	
E11  x5	G4  4x16 x26	G2  3x20 x65	F1  x12	H24  x3
A1  $\varnothing 7 \times 50$ x8	B7  $\varnothing 8 \times 30$ x48	W2  x1	G1  4x13 x30	

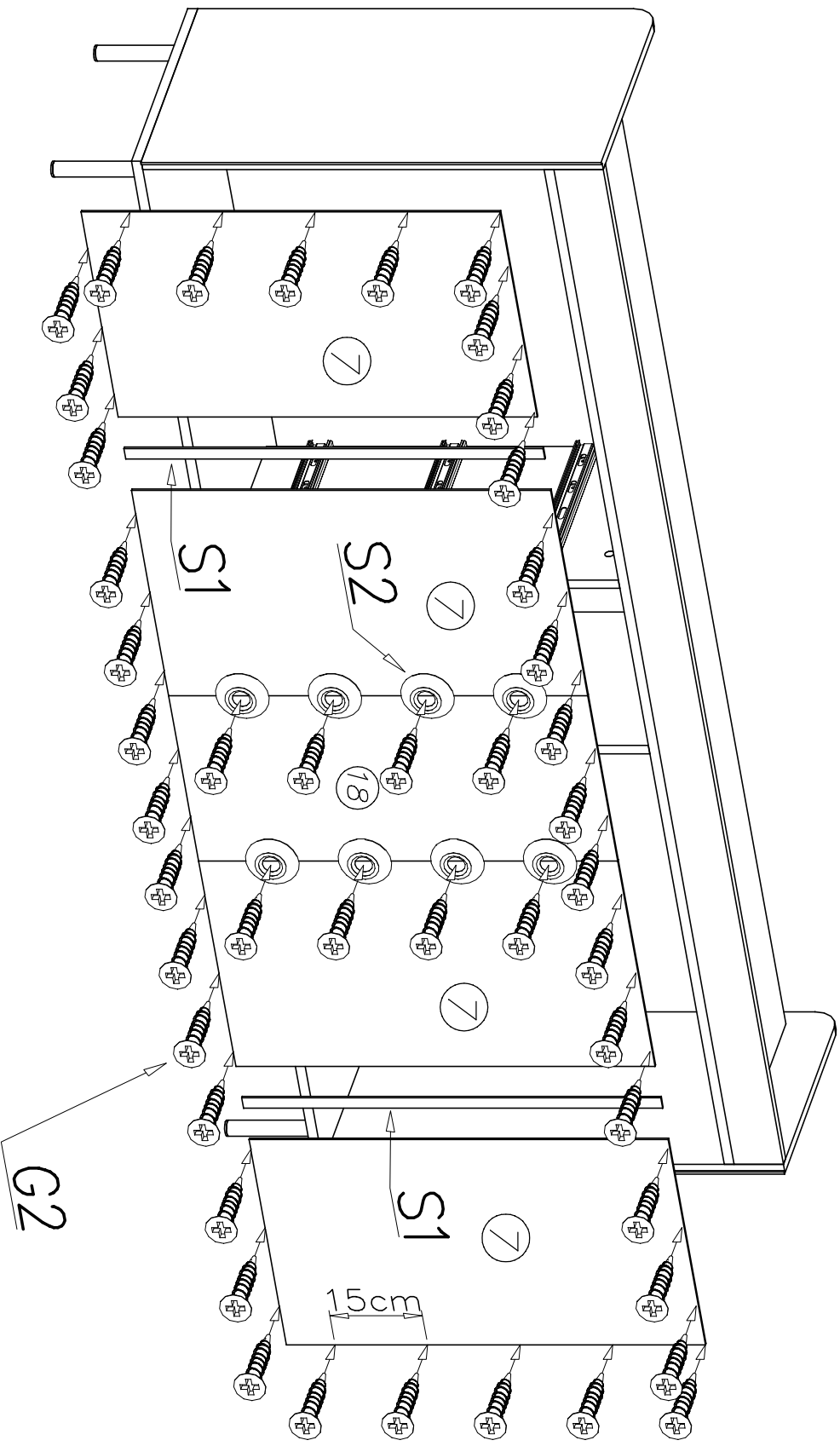
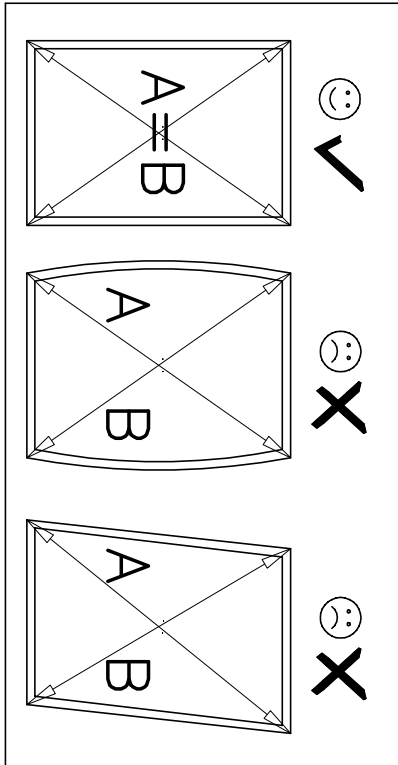
I



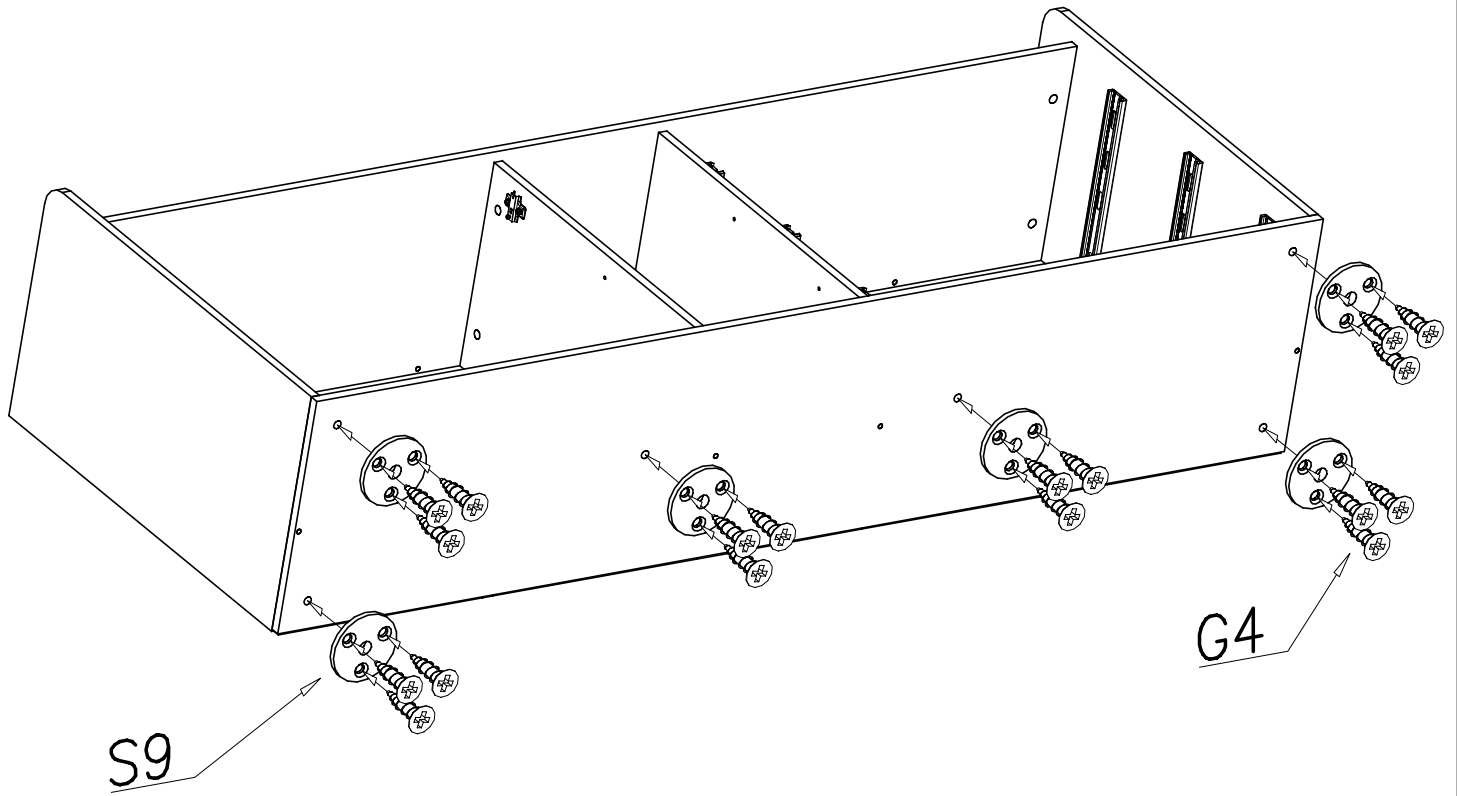
II



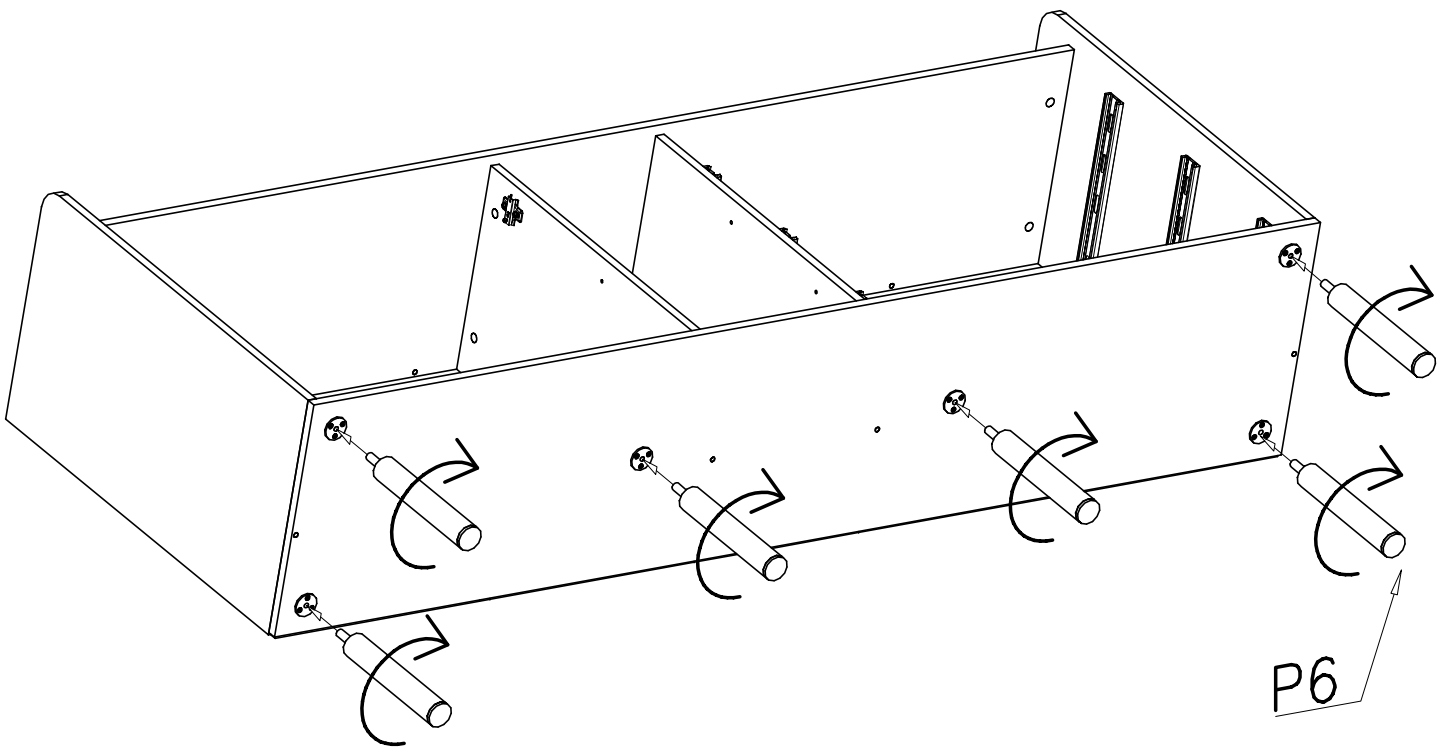




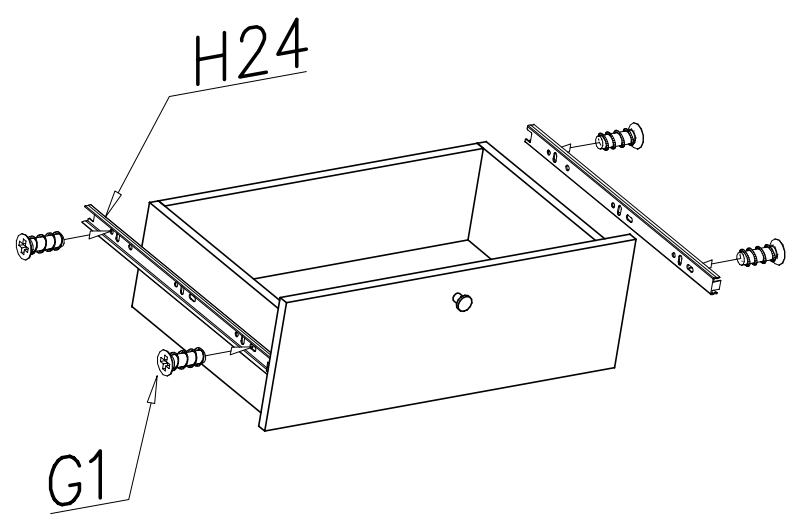
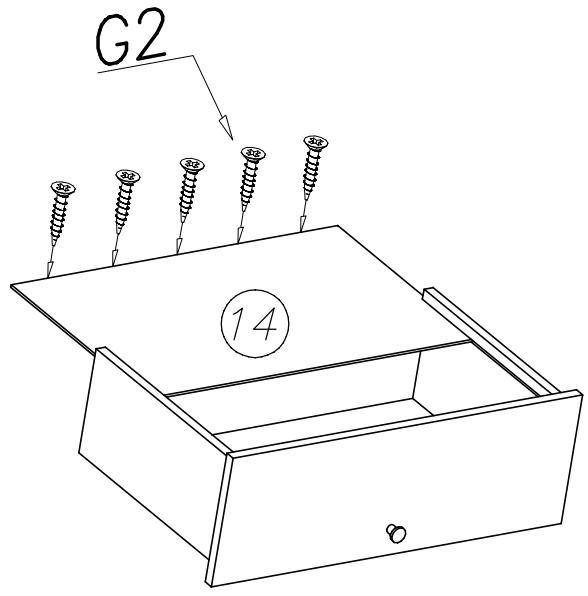
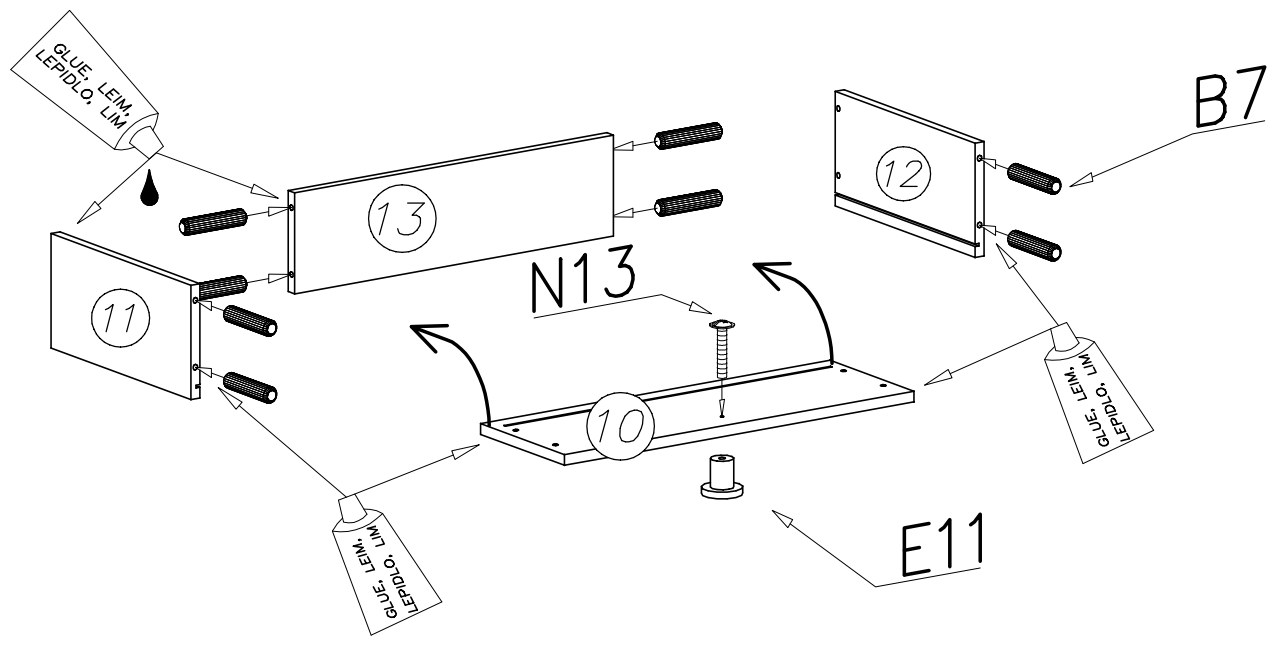
V



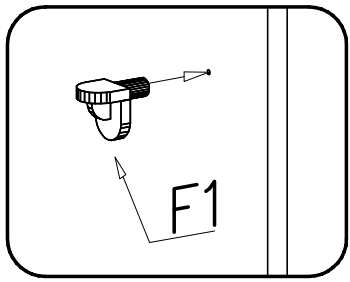
VI



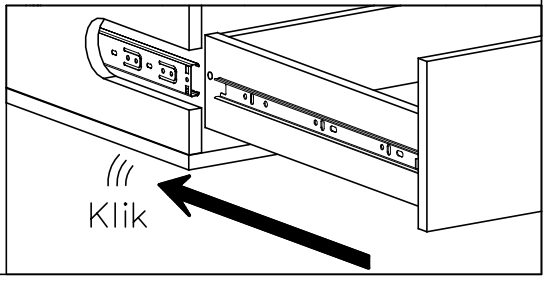
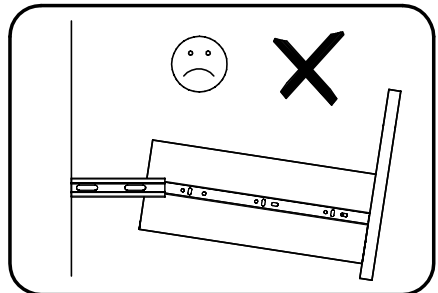
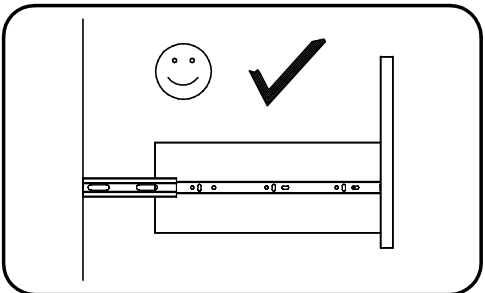
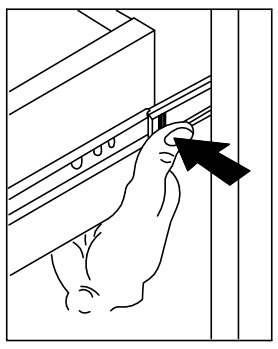
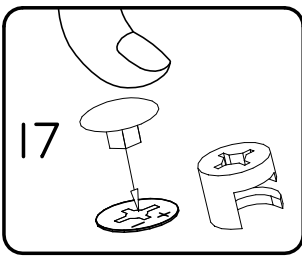
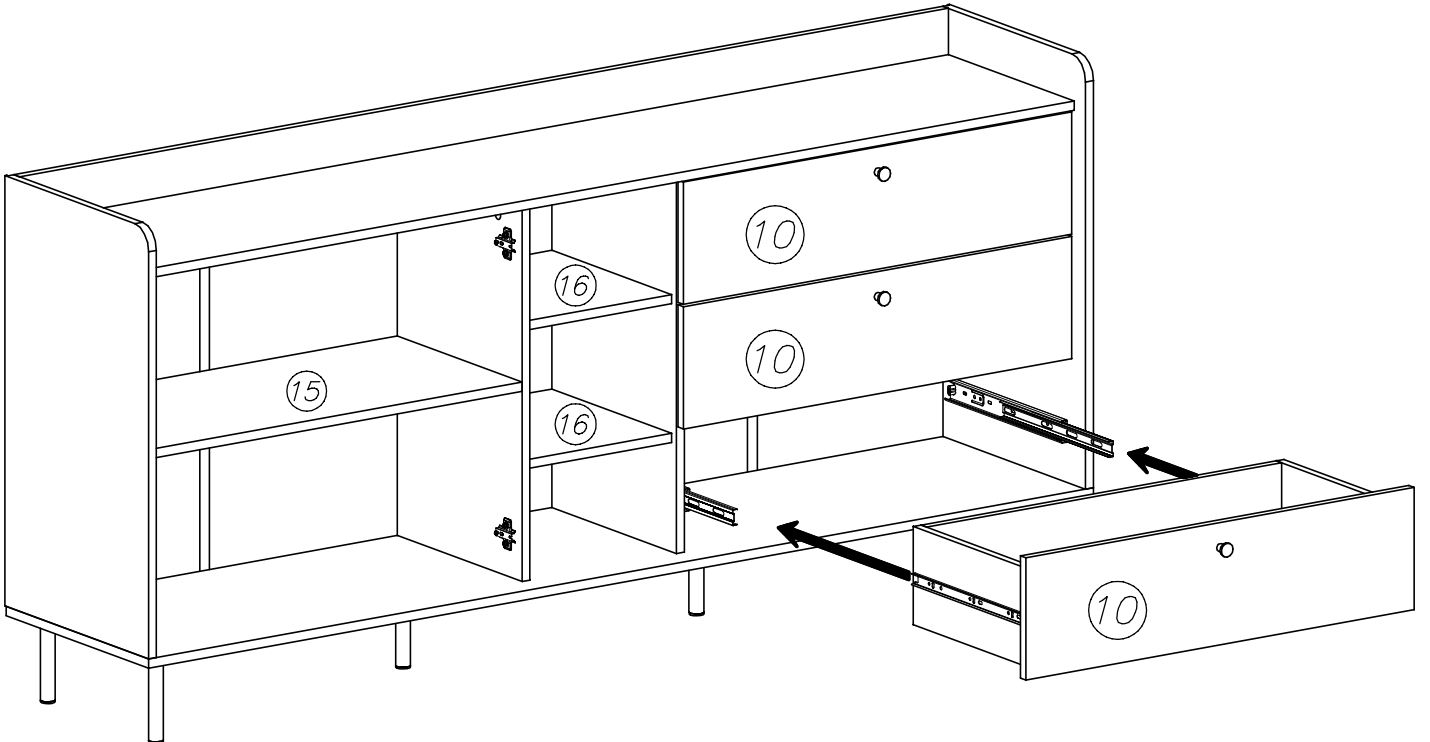
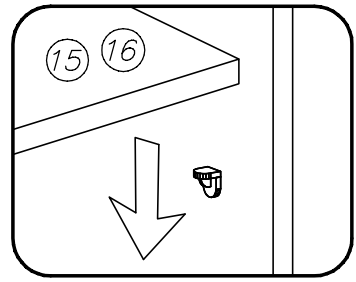
VII



1



2



IX

